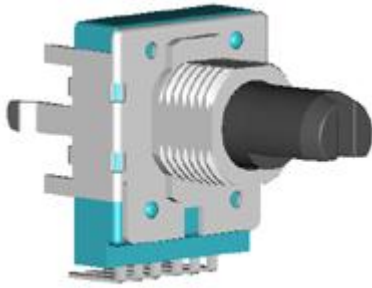


Model(型號): **ROTARY POTENTIOMETER-----R12L12HB[x]**

► [Download PDF file](#)



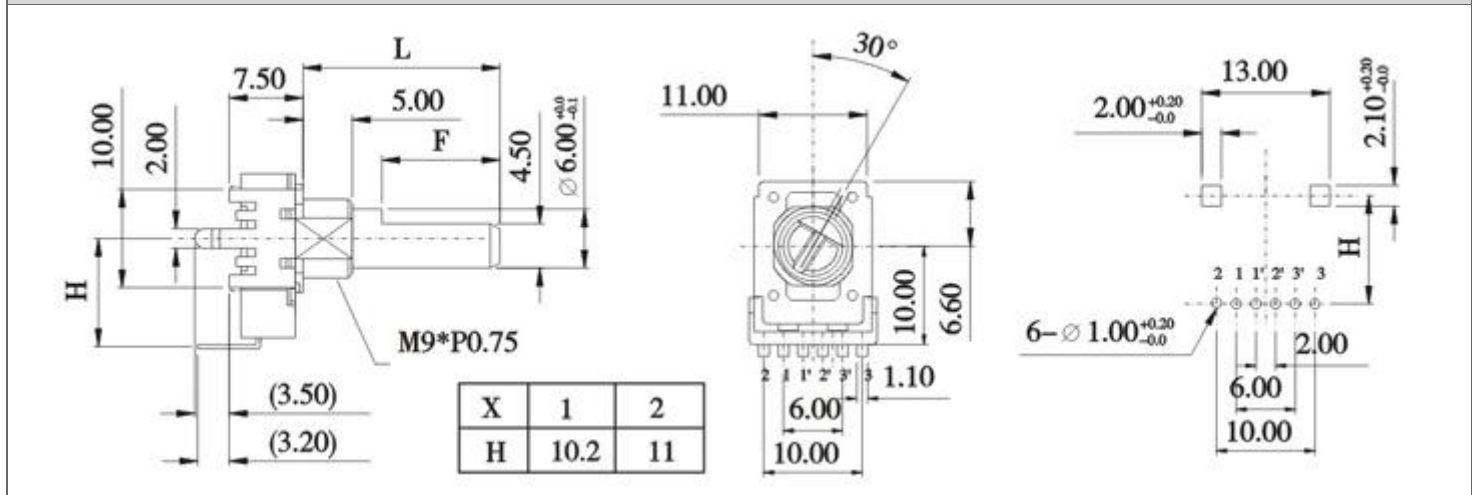
Features:(特點):

Thanks to its structure eliminating openings,the dust-proofing capacity and flux resistance have been improved.9.8mm outing size is ideal for high-density set design.

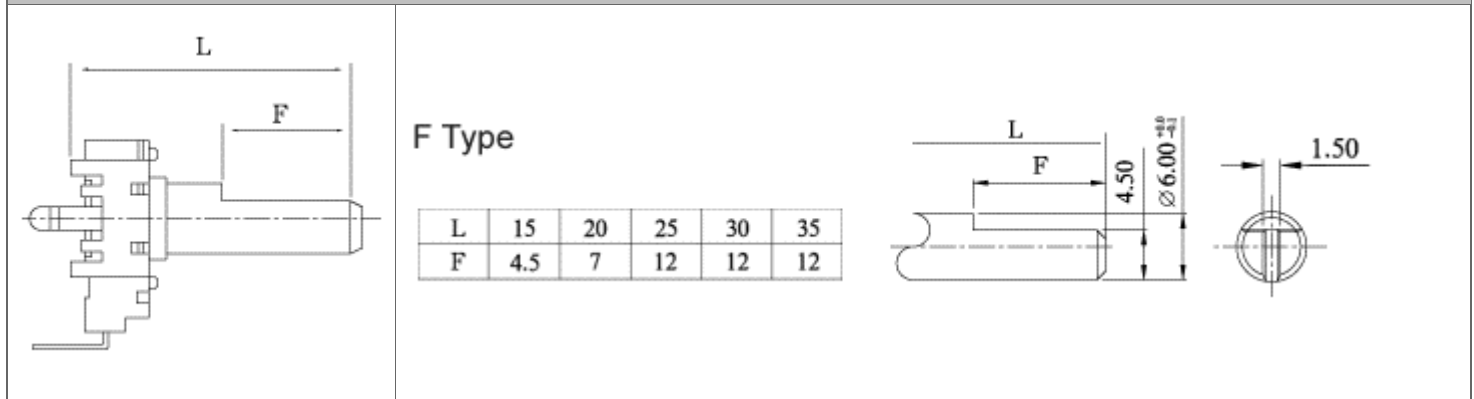
Applications(作用):

Suitable for various control applications with audio products,visual products,electronic musical instrument, etc.

Dimensions(規格圖):



SHAFT DIMENSION



Specifications(規格)

Electrical Characteristics [電氣性能]	
Total resistance [全阻抗值]	5KΩ-500KΩ
Total resistance tolerance [全阻抗值容許差]	±20%
Ratings power(w) [額定功率]	0.05W
Resistance taper [阻抗變化特性]	A,B, C,D,W
Residual resistance [殘留阻值]	R < 10KΩ 20Ω Max. 10KΩ < R ≤ 50KΩ 30Ω Max. 50KΩ < R ≤ 500KΩ 0.1%[Max.
Sliding noise [滑動雜音]	100mV Max.
Withstanding voltage [耐電壓]	1 minute at AC 500V
Gang error [連動誤差]	-40dB ~ 0dB ±3dB Max.
Insulation resistance [絕緣阻抗]	100MΩ Min. at DC 500V.
Max. operating voltage [最高使用電壓]	AC 50V , DC 12V
Mechanical Characteristics [機械性能]	
Operation torque [回轉力矩]	30~200gf . cm
Rotation stopper strength [止動強度]	6.0Kgf . cm Min.

Total rotational angle [回轉角度]	300 ±5°
Endurance Characteristics [耐久性能]	
Rotational life [回轉壽命]	More than 15,000 cycles

[Http://www.productwell.com](http://www.productwell.com) E-Mail: pwltw@productwell.com TEL: 0769-81353212 FAX: 0769-81353211